



# Installation Manual

WAVE SHADE (CORD RETRACTION)

<sup>NZ</sup> Custom  
Shade



# Installation Manual

## CORD RETRACTION

Read this manual before starting, and contact us if anything is unclear. The Wave Shade is a high-quality product, so take care during installation to ensure the best results. We recommend two people for the job, which typically takes about half a day.

### SAFETY PRECAUTIONS

1. Ensure the installation area is free from obstructions and hazards.
2. Use appropriate safety gear, including gloves and safety glasses.
3. Do not install during adverse weather conditions.
4. Make sure you have at least one other person to assist with the installation.

### TOOLS AND MATERIALS NEEDED

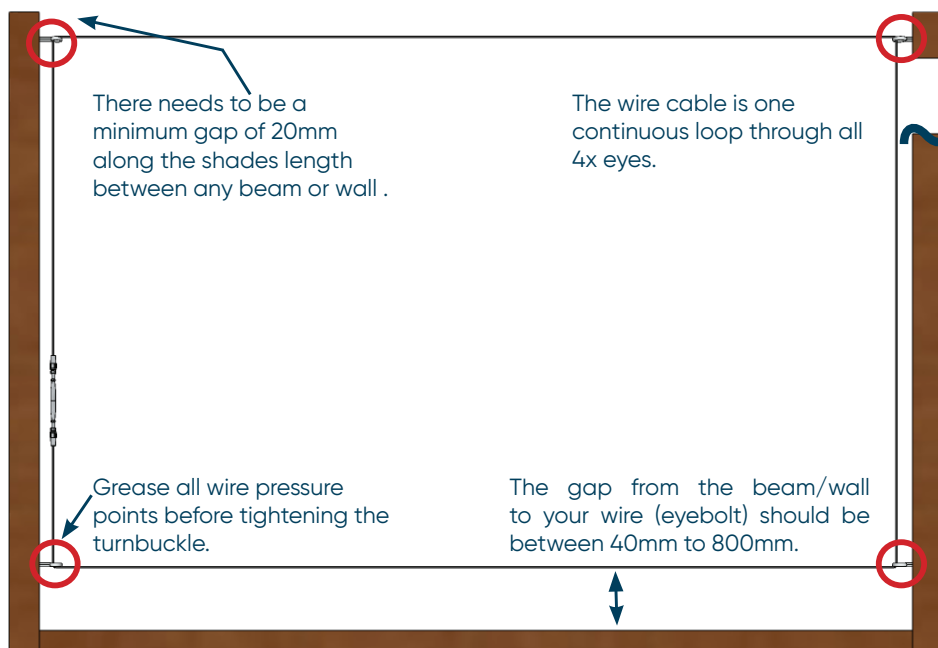
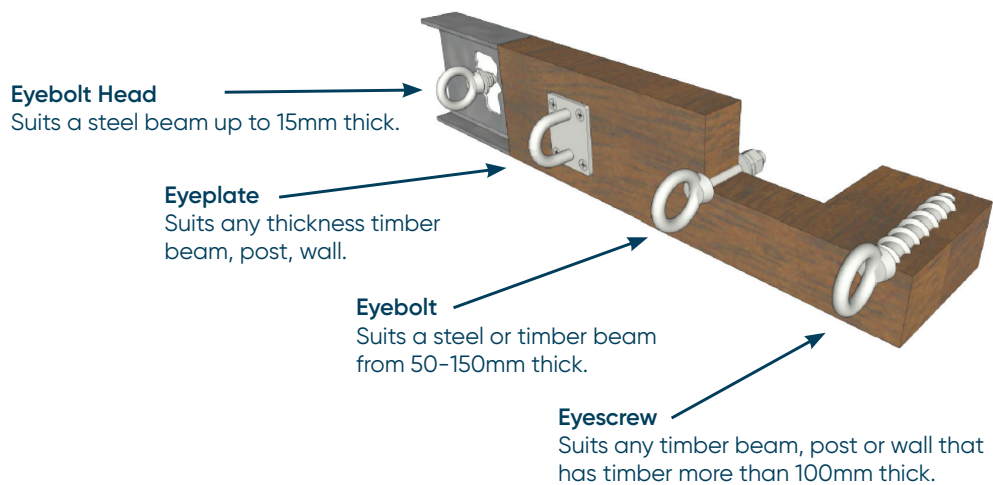
- Ladder
- Drill
- Wire cutters / Angle grinder
- Tape
- Ring spanner set
- Screw driver
- Measure
- Pen
- Ground cover
- Drill bit set
- Allen Keys
- Socket set
- Scissors
- Lighter

### WHAT'S IN THE BOX

 turnbuckle	 nulan grease	 wire	 wave shade
 spring hook	 lock nut	 spacing strap	 single pulley block
 double pulley block	 saddle	 screws	 button screw
 braid	 wire rope grip	 rope cleat	

# Fixing Hardware

Firstly, you need to fix the eyes to your structure. The eyes will need to be very secure and fixed to a strong part of the structure as there will be a lot of force on them once the shade is installed. Seek help from a building professional if you are in doubt about the strength of your structure. Each eye should be able to take approx. 1000lb of force in a horizontal direction.



**Once Fixing eyes are in place, it is time to install the wire cable.**

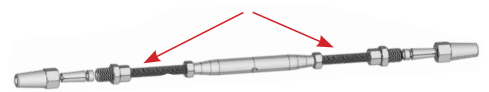
# Wire Cable

When installing the wire cable, keep in mind that the tighter the wire cable, the better your Wave Shade will look and operate. You may require a second person to assist you at this stage.

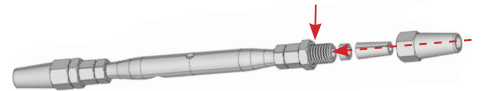
**Note:** Be careful not to lose the small brass bushes when disassembling the turnbuckle.

Firstly you need attach one end of the turnbuckle to one end of the wire cable.

1. **Extend the turnbuckle fully**, so that there is only 5mm of thread wound into the body of the turnbuckle.



2. **Insert the wire** through the swage end, 3 pins and the brass ring then push the wire in as shown by the arrow.

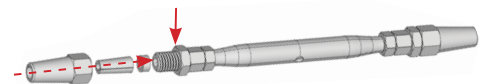


3. **Grease all threads** with the Nulan Grease supplied. This will help prevent them from binding up.



4. **Wind the turnbuckles** swage end back together.

5. **Run the wire** through all fixing eyes and pull it tight by hand.



6. **Cut to length** - The wire cable has been supplied over-length so will need to be cut to the length needed. The wire should be able to insert to where the arrow indicates. *Repeat step 1.*

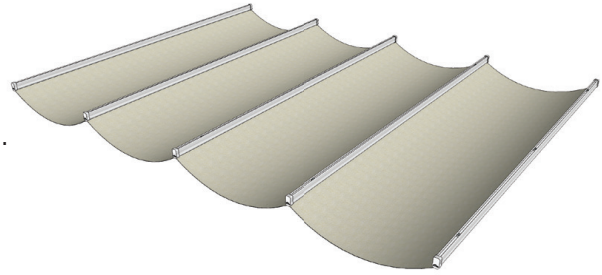
7. **Off set the turnbuckle** approx. 300mm for the center of the shade. Then tension the turnbuckle. This will leave room for you when installing the cord retraction.

Ensure you get the wire as tight as possible. If the wire is looking loose, you may need to undo the turnbuckle and shorten the wire further.

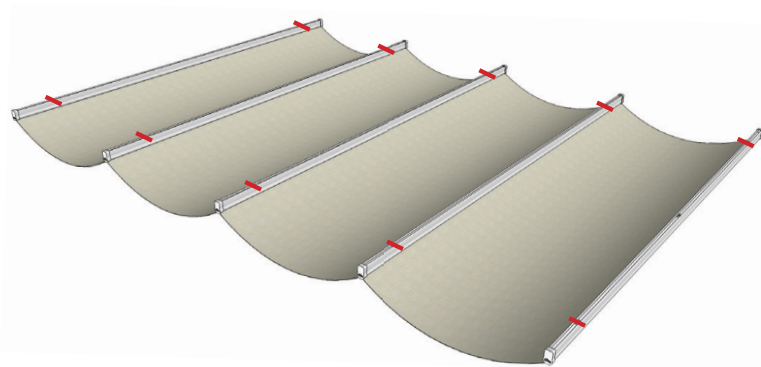
**Very Important:** Grease the two lengths of cables the shade will be sliding on. Apply liberally by hand using a glove. This will help the shade slide smoothly along the wires.

# Marking the Spar

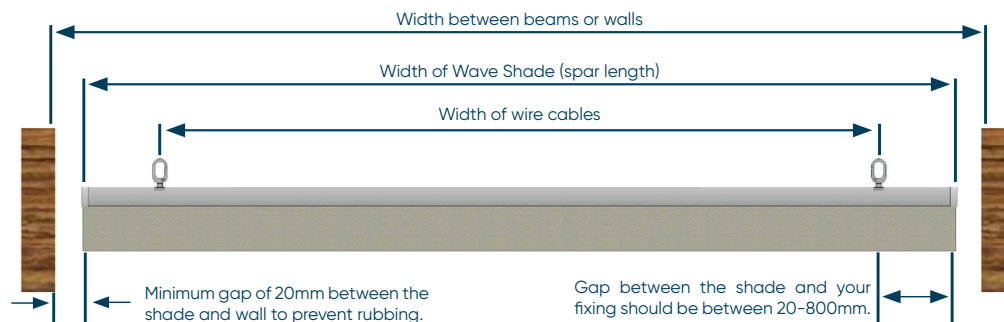
Lay a ground cover down on a flat, smooth surface and lay your wave shade out flat on this. The cover will protect your Wave Shade from getting scratched or damaged.



Measure the width between your wire cable, from the center of the cable on the left, to the center of the cable on the right. Calculate the difference between the length of your spars and the width of the wires. Divide this by two to find where your clips will need to be on the spars. Mark a small line on top of each spar where the hooks will be positioned.



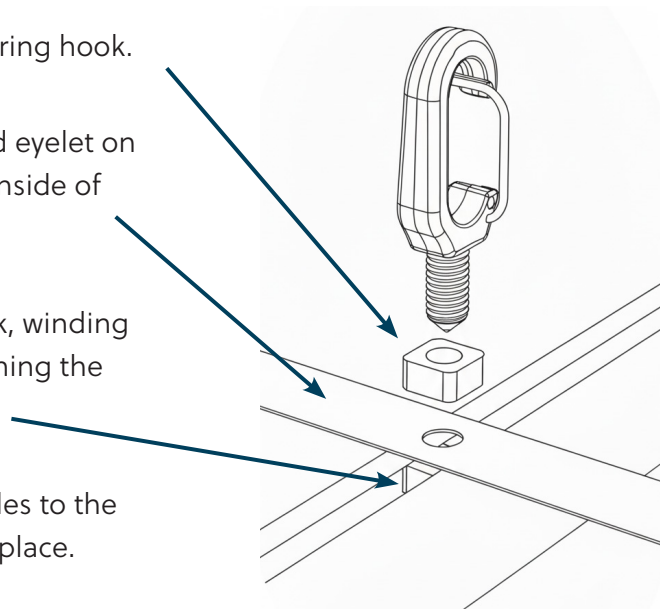
Slide the nuts that are inside the spar along to the points that you have marked.



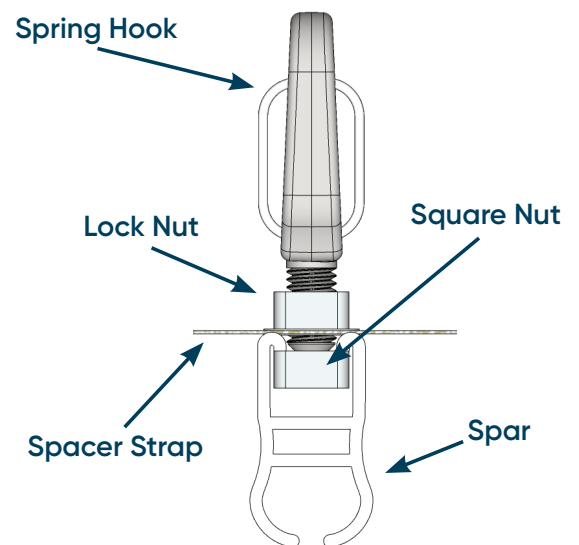
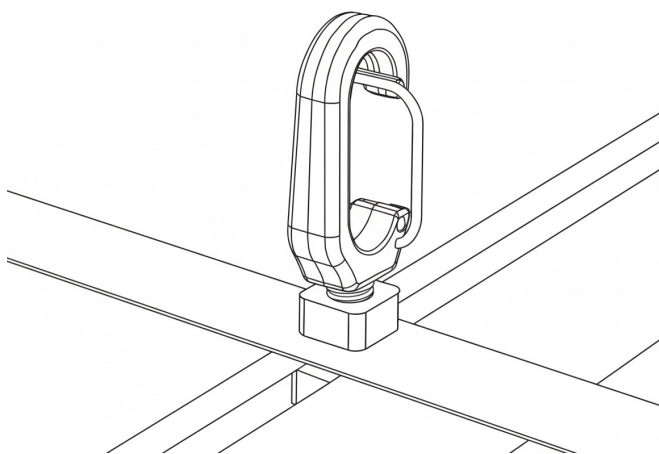
# Installing the Hooks

Lay out the spacing straps beside the Wave Shade, making sure there are no twists in them.

1. Wind one lock nut onto the thread of each spring hook.
2. Place the spring hook thread through the end eyelet on a spacing strap, and then down into the nut inside of the spar.
3. Use a spanner to fully tighten the spring hook, winding the thread down tight into the spar. Keep turning the spring hook until it is in line with the spar.
4. Holding the spacing strap so it is at right angles to the spar, lock the top nut down tight to hold it in place.



**Repeat these steps**, threading a spring hook through the spacing strap eyelets on each spar. Then repeat this on the other side of the spar for the second spacing strap.



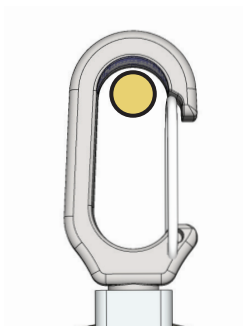
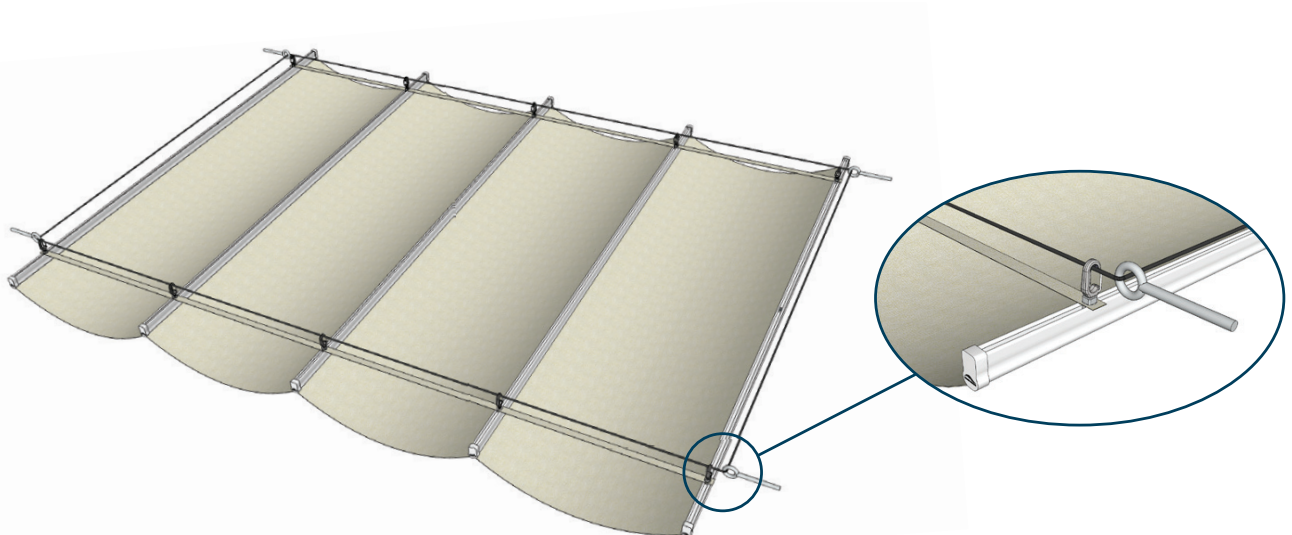
**Your shade is now ready to lift into place.**

# Lifting the Shade

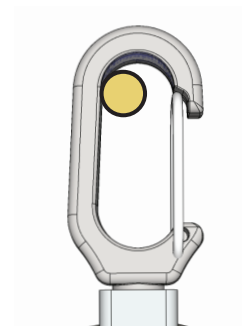
When lifting your shade please take care, especially if you are using a ladder or height access equipment. As well as your looking out for your safety you also need to make sure the shade does not snag or get damaged by dragging over or colliding with any rough surfaces.

Have at least two people lifting the shade into place, for a safer and easier installation. Starting with an end spar, lift the shade up and clip both of the spring hooks onto the wire. Continue doing this until all spring hooks are clipped onto the wire cable.

**Note:** It is easiest to do this by attaching one spar at a time.



**The wire should sit nicely in the center** of the spring hook, ensuring it runs smoothly along the wires.

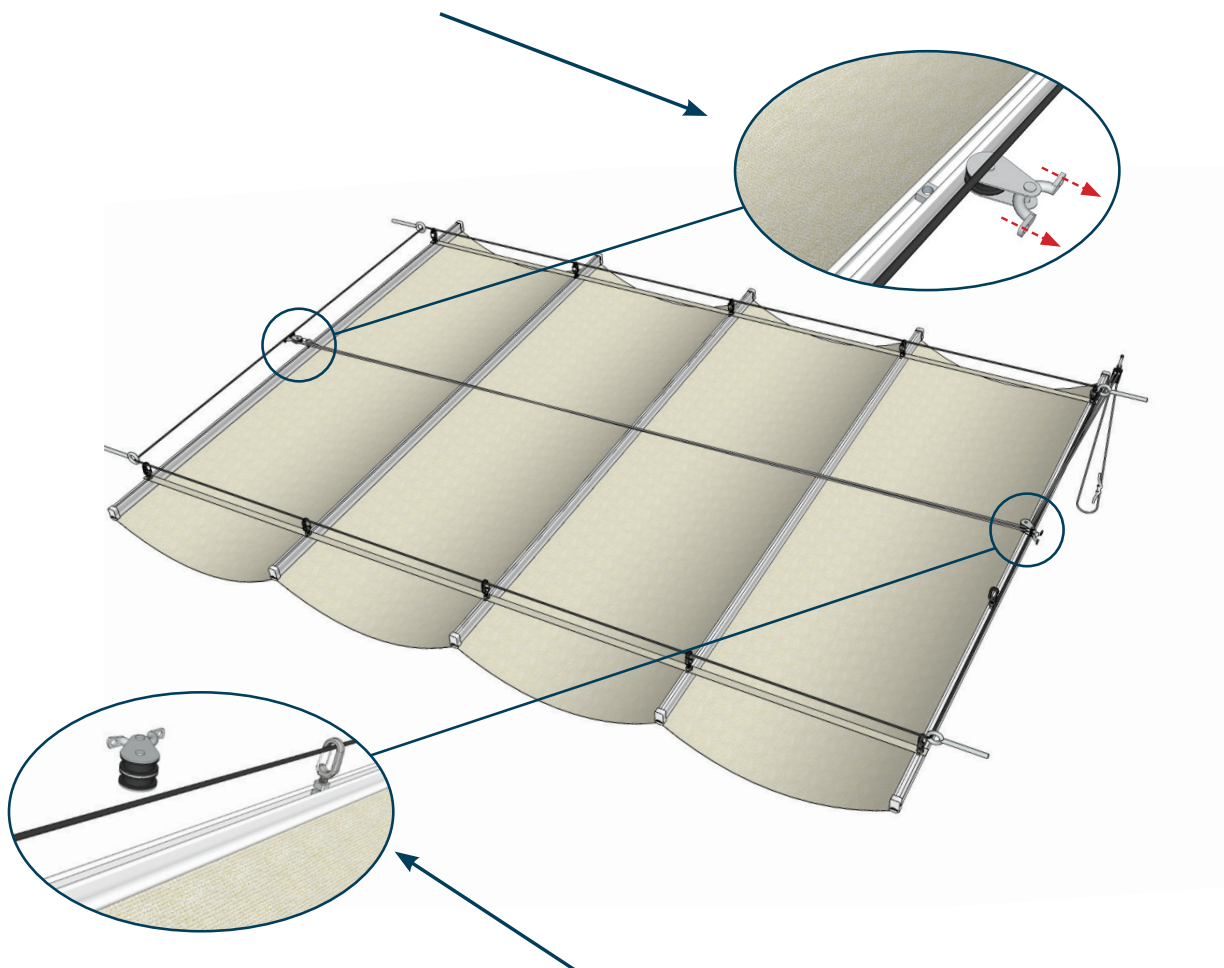


**If the wire is pulling to one side** of your spring hooks, then you will need to remove the Wave Shade and adjust the spring hooks along the spar so they are set at the correct width as the wire cables.  
*(As shown in the photo on the left)*

# Fitting the Cord Retraction

There are 3 pulley blocks to be fitted. The following steps are based on the recommended position for these, but if your pergola or structure does not allow you to configure them this way then you will need to reposition them. If you are not sure how to do this, contact us and our team will be able to assist.

1. At the end of your pergola or structure where the shade will extend to and retract away from - fit a single pulley block. Mount a saddle cleat in the center just below the wire cable level. Slide the pulley block onto the saddle before screwing it in place with the screws supplied.



2. At the end of your pergola or structure where the shade will retract to - fit a double pulley block. Mount a saddle cleat in the center just above the wire cable level. Slide the pulley block onto the saddle before screwing it in place.

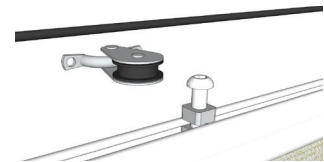
# Fitting the Cord Retraction

---

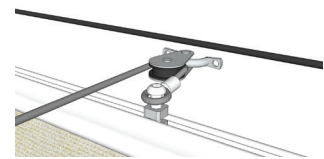
The cord now needs to be threaded through all 3 pulley blocks to form a loop. This allows the operator to pull the cord one direction to extend the shade and the other direction to retract it. A rope cleat fitted to a pole or wall allows the operator to lock off the shade in any position.

During these steps, the cord can go through either sides of the double pulley blocks, so long as the cords do not twist around each other.

1. Place a nut on the button screw, then screw it into the nut on the end spar that will be extending and retracting.



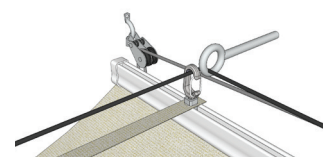
2. Starting with the crimped loop end of the cord, loop it around the button screw then run the loose end of cord around the single pulley block.



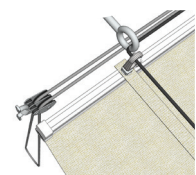
3. Run the loose cord along the shade and around the double pulley block at the stationary end.



4. Then run the cord along to the double pulley block at the corner of the shade and down through this.



5. Now thread the loose end back up through the other side of the corner double pulley block and then around the double pulley block at the stationary end.



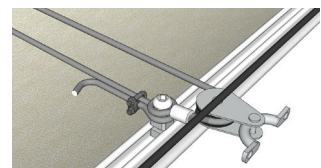
# Fitting the Cord Retraction

---

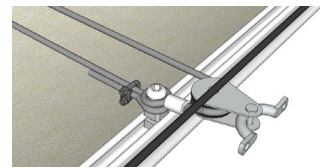
6. Run the wire back along to the button screw. The cord is supplied over-length, so adjust the loop hanging at the corner of the shade so that it hangs at a suitable height.



7. Lock off the cord around the button screw with the rope grip.



8. Trim the cord only once you are satisfied with the length of the cord loop.

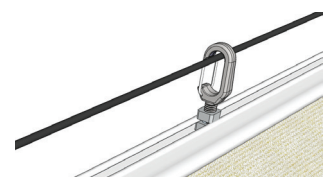


9. Use a lighter to melt the cut end of cord to prevent fraying.

10. Mount the Rope cleat which will be used for locking off the cord. This is normally mounted approx. 1.6m above the ground. **Note:** This should be fixed at a height within reach of adults, but must be out of reach of infants and young children.



11. On the end stationary spar, screw a Wave Shade clip into the square nut in the spar until it is tight, and at right angles to the spar. This can be offset from the center about 200mm so it is out of the way for the double pulley block.





# Care Instructions

## CORD RETRACTION

To get the most out of your Wave Shade and make it last for a very long time, follow these guidelines.

### DAILY USE

Wave Shades are designed for daily use only, not for permanent outdoor shade. So, remember to extend it only while you require shade, and when not in use always retract it away. Your Wave Shade can handle light to medium winds however never extend it during winds exceeding 32kph (20mph). To keep your Wave Shade safe during storms you can take either of the following steps:

- A.** Remove it before the storm arrives.
- B.** Retract your shade and lock off the cord securely to keep

---

### REMOVING YOUR SHADE

To remove your shade for storing and cleaning, you can do this yourself if you have the competence and equipment or by your local authorized Wave Shade installer. To do this simply unclip the shade from the wire cables and carefully lay it on a clean, flat, non-abrasive surface.

**Note:** if your wave shade has a cord retraction kit you will need to remove the bolt that attaches the cord to the aluminum spar first, using an allen key. Take note of which way the shade is orientated and exactly where the bolt was so that you can reinstall properly after storage. The wire cables and cord retraction setup can also be removed too if you are confident to do this yourself. Remember when you are reinstalling the wire cable again, it needs to be super tight!

---

### STORAGE INSTRUCTIONS

If you do not require shade during the cooler season it is best your Wave Shade is removed and stored away during the worst winter months. This protects it from rain, hail, snow, high winds and weather that could damage or reduce the life of your shade. It is best to lay out a clean piece of fabric, plastic film, builders paper or the likes and wrap the neatly folded-together Wave Shade. Avoid creases in the fabric where ever possible and ensure that the shade is dry before storing. If you decide to remove the wire cable, coil this into a plastic bag or cardboard box to store with the shade. Store your wrapped Wave Shade in a dry ventilated place away from excessive heat.

# Care Instructions

---

## CLEANING INSTRUCTIONS

Your Wave Shade must be cleaned at least once every year to comply with the warranty requirements. To keep it looking smart we recommend cleaning it at least twice a year. In coastal areas where your stainless steel is exposed to salt air, or installed under a cover you will need to thoroughly clean all the stainless steel parts at least every 4 months to prevent staining. If your Wave Shade becomes stained or visibly dirty it is best to clean it as soon as possible to prevent permanent discoloration.

When safe and accessible you can clean your Wave Shade in-situ or remove it and lay it on a clean, flat, non abrasive surface. Using a solution of one-cup mild detergent with one cup of household bleach in 11 liters of water, sponge both sides of the fabric and all other components. Immediately rinse thoroughly with water and air-dry completely. Do not use any abrasive cleaners.

---

## GENERAL MAINTENANCE

To keep your Wave Shade in good working order the wire cables need to be greased at least twice per season. This reduces the friction and ensures that the shade will extend and retract easily. If you do notice it becoming a little more difficult to extend and retract, then more than likely it is time to grease the wire cables. Using appropriate height access equipment, apply Premium Wave Shade Grease by hand, paintbrush or rag to the wire cables where the hooks slide. Apply liberally and remove any excess with a



rag. Otherwise just check for general wear and tear on all moving parts and ask your supplier about any needed replacement parts or warranty in the unlikely event of a failure.

# Warranty

---

## 12 Month Warranty

NZ Custom Shade Ltd ("The Supplier") warrants the integrity of the workmanship of your Wave Shade product/s ("The Product") and will remedy any defects arising from workmanship or materials used in the manufacture of the product on the basis of the conditions set out in the conditions of warranty below.

1. NZ Custom Shade warrants your Wave Shade to be free from defects in material and workmanship. This warranty is extended to the first retail purchaser of the Wave Shade for consumer use, and lasts for the specified warranty period from date of purchase.
2. The warranty covers the replacement of any Wave Shade that is defective (unless those defects result from: altering or modifying of the Wave Shade, improper use, abuse or misuse of the Wave Shade, such as incorrect installation, or damage caused by high winds or heat).
3. This warranty does not cover colour fading of the fabric due to exposure to ultra-violet rays, damage to the Wave Shade due to exposure to chemicals, placement near open flame or other heat source. NZ Custom Shade will not have other or greater liability for defects in the Wave Shade. Nor will NZ Custom Shade have any liability for incidental or consequential damages.
4. If you discover a defect in the Wave Shade during the warranty period and wish to obtain a replacement, please return the Wave Shade to the place of purchase (or provide photographic evidence of the defect) within 90 days of the defect warranted against along with a copy of the original invoice and a written description of the claimed defect. All implied warranties of merchantability and fitness for particular purpose are limited in duration to the specified warranty period from date of purchase.
5. Except those warranties or conditions implied by law, NZ Custom Shade will not be liable for any loss or damage suffered by any person (including the purchaser of the product) in any way relating to or arising from the Wave Shade or its use (including loss or damage arising from the negligence of, or contributed to by, NZ Custom Shade).
6. Please note that with some Wave Shade products, joins or seams are necessary due to available fabric widths. Our manufacturers are trained to minimise seams; however, some seams are inevitable and will be visible. This is quite normal, should be expected and is not covered by this warranty.