



Outdoor Omni Screen

PRODUCT GUIDE

^{NZ} Custom
Shade



Omni Screen for outdoor privacy and protection

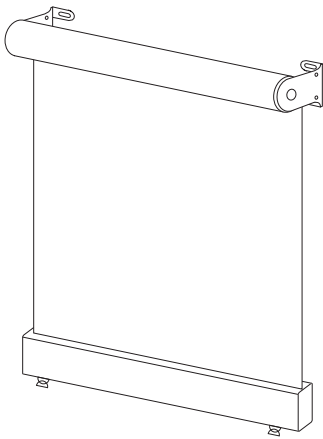
The sleek and durable Omni Screen combines style with practicality, providing instant shade and privacy whenever you need it. Designed for both protection and comfort, it's a smart choice for any outdoor space.

KEY BENEFITS:

- Instant shade for outdoor comfort
- Enhanced privacy from neighbours
- Shelter from wind and weather
- UV protection for people and furniture
- Stylish, modern appeal
- Durable, weather-resistant materials
- Versatile for decks and patios
- Low-maintenance and easy care

Available in Three Options:

The Omni Screen offers three different systems to best suit your application:

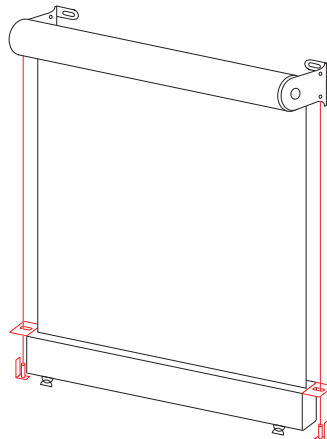


OMNI LITE

The Omni Lite is a stylish, straight-drop screen designed for simplicity and practicality. It anchors firmly to the ground when lowered, creating instant shelter and privacy, then rolls away neatly when not in use. A minimal, space-saving solution.



Anchors to ground when lowered, fixed positions: up or down.

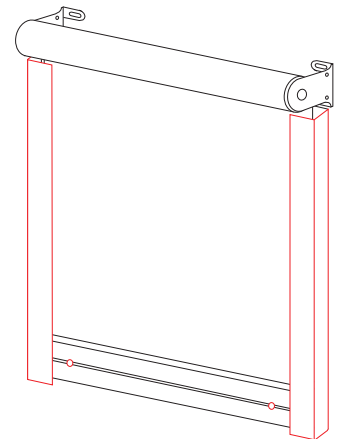
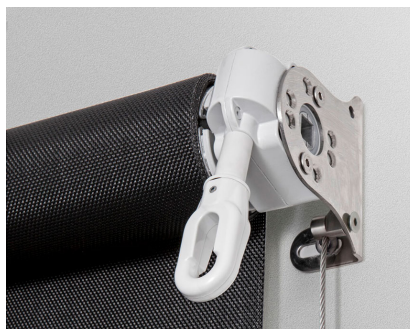


OMNI GUIDE

The Omni Guide is a wire-guided straight-drop screen designed for flexible control. It can be stopped securely at any height, while the guided system ensures smooth, safe operation as it rolls neatly away when not in use.



Wire-guided system. Stops securely, can be fastened at any height.



OMNI CHANNEL

The Omni Channel features side channels for maximum stability against wind. It rolls neatly into the up position, anchors securely when lowered, and can be locked at any height within the side channels for added stability and safety.



Firmly secured within side channel guides and can be fastened at any height.



Customising your Omni Screen

Designing the perfect outdoor space begins with choosing a screen that suits your lifestyle, home and style. With the Omni Screen, you can customise every detail — from fabric and frame colour to guiding configuration. Here's how to make the right choices for your space:

1 START WITH YOUR SPACE

- For positioning, consider sun direction, wind exposure, and daily use.
- Accurately measure the full width of your proposed space.
- Measure the drop required for the screen to reach ground level.
- **Min and Max width and height:** MIN-500 x 500 mm, MAX-4500 x 3000 mm

2 CHOOSE YOUR GUIDE TYPE

- **Omni Lite** – Anchors to ground when lowered, fixed positions: up or down.
- **Omni Guide** – Wire guided system. Stops securely, can be fastened at any height.
- **Omni Channel** – Firmly secured within side channels and can be fastened at any height.

3 FABRIC TYPE & COLOUR OPTIONS

- Shadeview Mesh Urban comes as standard. Available in 16 colours with a 10-year UV warranty.
- A Clear PVC options is also available offering a completely see-through solution.
- The bottom bar, side tracks (*Omni Channel option only*) and (*optional*) pelmet can be powder-coated in your colour of choice - black, white or silver pearl.

4 DRIVE OPTIONS

- **Crank handle length** - Available in 800mm, 1200mm, 1600mm or 2000mm options
- **Drive orientation** - Left or right

5 PELMET (OPTIONAL)

- The optional addition of a 135mm square pelmet fully encloses the blind roller, keeping it neatly hidden. It also helps protect the roller from rain and debris.



Choosing your Screen Location

Choosing the right location for a retractable outdoor screen depends on your primary goals: sun protection, indoor cooling, or enhancing an outdoor living area. Considering the orientation of your home, local weather, and physical installation requirements is crucial for maximizing the benefits.

FOR MAXIMUM SHADE AND COOLING

- **North-facing decks and patios:** This is the ideal spot for a screen for most of the day. A north-facing position will provide consistent shade throughout the day and reduce heat in adjacent rooms.
- **West-facing areas:** A screen here is most effective for blocking intense afternoon and evening sun, making it perfect for late-day use and protecting your indoor space from evening glare and heat.
- **East-facing areas:** This placement provides shade during the morning, which is beneficial for breakfast or keeping morning sun out of bedrooms.

WEATHER PROTECTION

- **Wind shelter:** Outdoor screens can act as a barrier against wind, helping to reduce exposure on patios, decks and balconies. By creating a calmer environment, they make outdoor areas more comfortable and usable throughout the year.
- **Rain and light weather shield:** Screens also help block light rain and moisture, keeping outdoor furniture, cushions, and flooring drier. This allows you to enjoy your outdoor space even when the weather isn't perfect, while also extending the life of your furnishings.

FOR LIFESTYLE AND FUNCTION

- **Instant privacy** – Screens can create a secluded outdoor space where you can relax, entertain or enjoy meals without being overlooked. Outdoor screens act as a discreet barrier from neighbours or passers-by, giving you peace of mind and a sense of personal space in your garden, patio or balcony.

Installation Considerations

STRUCTURAL SUPPORT

- Ensure your mounting surface is strong enough to support the full weight of the screen, including the roller and frame. Weak or uneven surfaces can compromise safety and functionality.
- Proper anchoring to walls, posts or beams is essential to prevent sagging, wobbling or damage over time. Use recommended fixings for your screen type and structure.

WEATHER

- Take into account the local climate, including wind, rain and sun exposure. Choosing materials and installation methods suited to your conditions will help the screen last longer.
- Position the screen to minimise direct exposure to very strong winds or heavy rain when possible. Consider which screen guide option is the most practical solution for your area.

PRIVACY

- **Placement:** Plan the placement of screens to block sight lines from neighbours or public areas while maintaining your preferred view. Proper positioning ensures a comfortable and private outdoor space.
- **Effective visual barrier:** Consider the height and width of the screen in relation to surrounding structures, plants or fencing. Carefully planned placement can create an effective visual barrier without feeling enclosed.

How to Decide

- 1 Assess your needs:** Decide what your main goal is—maximum shade, privacy, afternoon cooling, or protection for a specific area.
- 2 Monitor your space:** Observe how the sun and wind affect your potential awning locations at different times of the day.
- 3 Ask for help:** If you have any questions or need to talk to us. NZ Custom Shade representatives are available at sales@nzcusomshade.co.nz



Measuring for Your Screen

Before placing an order for your custom outdoor screen it is important to plan and measure your space carefully to ensure a good fit and easy installation. If you are unsure we recommend employing a local builder / handyman to assist.

WIDTH

- Measure the full, clear horizontal space where the screen will be installed. Ensure the area is free of downpipes, lights, vents, or other obstructions. Consider both aesthetics and functionality when choosing the width. For optimal coverage and privacy, can the screen can extend slightly beyond the area you want to protect?
- **Important note:** The screen fabric is always slightly narrower than the total system width. Omni screens can be custom-sized up to 4.5m in width.

HEIGHT

- Measure vertically from the ground to the proposed mounting point. Check vertical clearance around the mounting point to ensure the screen can roll up smoothly.
- **Mounting location:** Omni screens can be mounted to a wall, under eaves or on a post structure. The ideal mounting type depends on your home's layout and available space.





Fabric & Hardware

The fabric and hardware of an outdoor screen work hand in hand—fabric brings colour, UV protection, and style, while hardware delivers the strength and smooth function. Together, they create a durable, practical, and attractive shade solution for any outdoor space.

Shadeview Mesh

PREMIUM QUALITY FINISH

Shadeview fabric cleverly diffuses light, lends a pared-back finish and optimises views but it still protects you and your home from the elements. The Urban mesh range we offer as standard with our Onmi outdoor screens offers an openness factor of 5% reducing up to 95% of the sun's harmful rays.

LONG-TERM DURABILITY

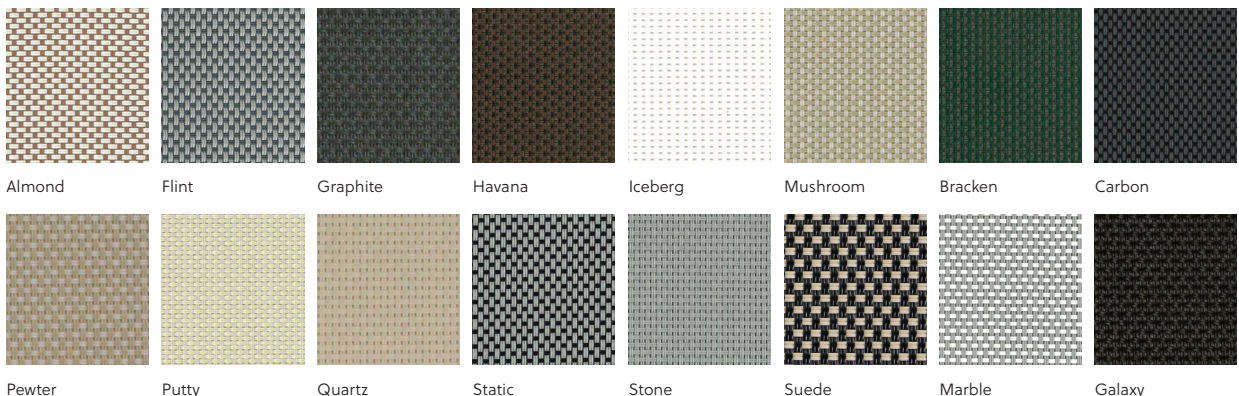
Built to withstand New Zealand's harsh conditions, Shadeview Mesh comes with a **10-year UV warranty**.

As well as offering:

- Optimal ventilation and airflow
- High quality, UV resistant construction
- Mildew resistance
- Fire retardant additives
- Reduced reflected glare

COLOUR RANGE

With a curated range of 16 colours, Shadeview Mesh offers a versatile selection to suit any style.



PVC

TRANSPARENT SOLUTION

PVC is the best solution when a completely see-through solution and unobstructed view is required. It also provides full wind and rain protection for your space.

LONG-TERM DURABILITY

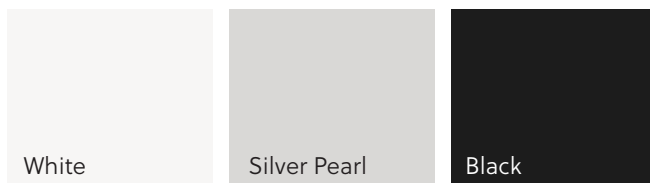
In addition to unobstructed views and a 2-year warranty. Clear PVC offers:

- Weather protection
- Insulation and temperature control
- Pest and debris control
- Durability
- UV protection

Hardware

COLOUR OPTIONS

The bottom bar, side tracks (*Omni Channel option only*) and (*optional*) pelmet can be powdercoated in your colour of choice - Options: black, white or silver pearl.



AESTHETIC FLEXIBILITY

With three versatile shades, you can match your hardware to suit your space. White offers a crisp, clean look, White and Silver Pearl provides a contemporary neutral, and Black delivers bold sophistication. Each finish is designed to complement both light and dark fabrics for a cohesive result.

BUILT FOR PERFORMANCE

Crafted from durable, high-quality materials, the hardware is designed to ensure long-lasting strength and smooth operation. Built to withstand outdoor conditions, it offers reliable performance while maintaining a sleek, modern appearance.



Operation & Mounting Brackets

Manual Simplicity

SIMPLE AND RELIABLE

Our outdoor Omni Screens are designed for effortless manual operation, ensuring a reliable and low-maintenance solution for your outdoor space. They are built with a focus on durability and simplicity, meaning you won't have to worry about complex mechanisms or frequent repairs. This makes them a great choice for long-term, hassle-free use.

CRANK HANDLE

The screen is operated with a simple and efficient crank handle, providing smooth and controlled movement. This manual system allows you to easily adjust to suit changing weather conditions or your personal comfort. The crank handle is robust and easy to turn, requiring minimal effort.

FLEXIBLE INSTALLATION

Our custom sized Omni Screens can be tailored to perfectly suit your outdoor area allowing you to choose the size that best fits your specific requirements. Additionally, for convenience and seamless integration the crank handle can be positioned on either the left or right side of the screen. This flexibility ensures the screen works with your layout, not against it.



Mounting Brackets

Selecting the correct mounting brackets is essential to ensure your omni screen is safely and securely installed. The type of bracket you need will depend on the structure of your building and where the screen is being mounted.

FACE MOUNT

Face mount brackets are designed to secure the screen to an outward-facing wall or surface of your building. This is the most common installation method, providing strong support while keeping the awning neatly aligned with the exterior.

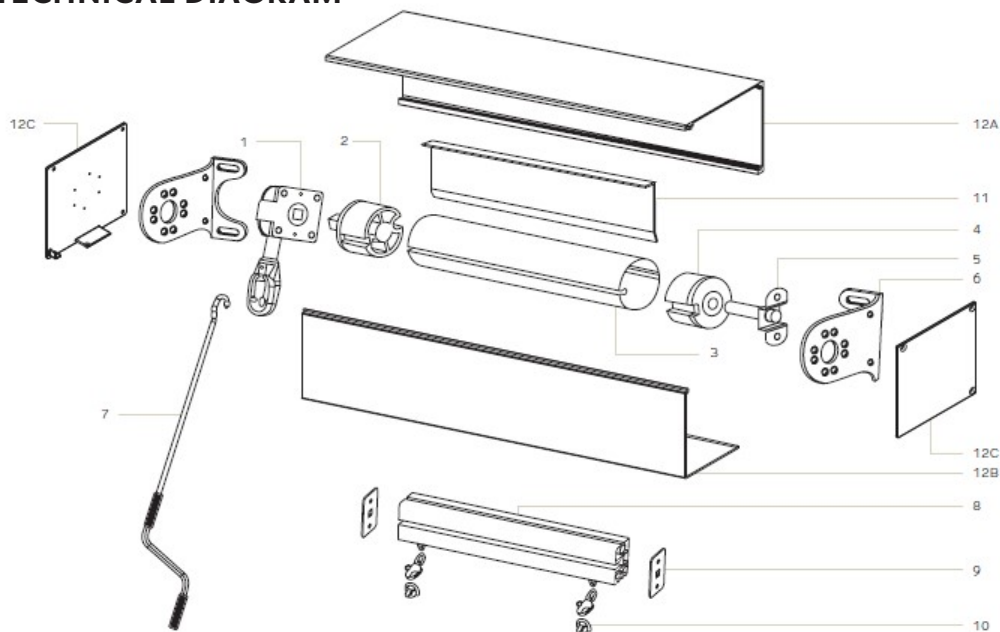
CEILING MOUNT

Ceiling mount brackets allow the screen to be mounted to the underside of an eave, beam, or pergola. This option is ideal where wall space is limited or when a higher mounting position is preferred for greater shade coverage and improved clearance.

RECESS-MOUNT

Recess Mount Brackets are the perfect solution for a clean, integrated look. By fastening the brackets to the inner side of two posts, you can create a neat and hidden solution that tucks the screen away when not in use. This option is ideal when you want the screen to be discreetly stored, maintaining the aesthetic of your outdoor space.

TECHNICAL DIAGRAM



- | | | | | |
|---------------|---------------------|----------------|------------------------|---------------------|
| 1 Gearbox | 4 Idler End | 7 Crank Handle | 10 S/S Anchor Clips | 12A Pelmet Back |
| 2 Drive End | 5 Pivot Pin & Plate | 8 Bottom Rail | 11 Flashing (optional) | 12B Pelmet Front |
| 3 Keyway Tube | 6 Mounting Bracket | 9 End Cap | 12 Pelmet (optional) | 12C Pelmet End Caps |



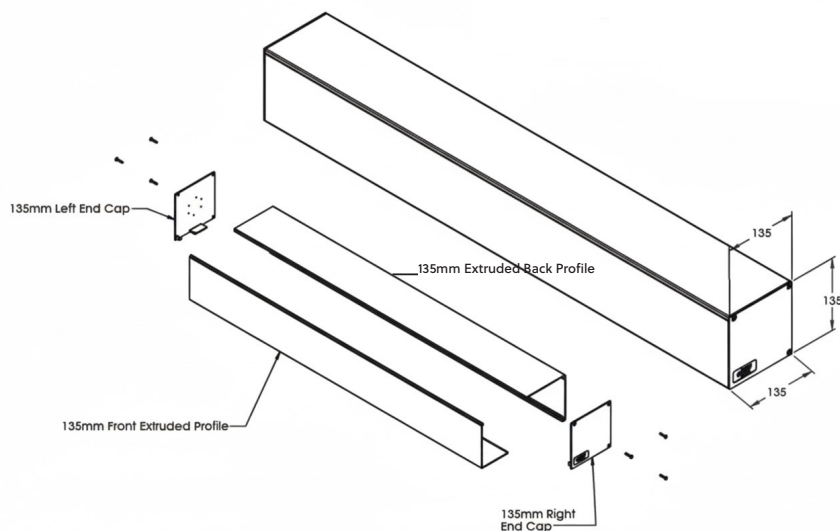
Optional Extras

PELMET - FULLY ENCLOSED PROTECTION

Our 135mm square pelmet is designed to fully enclose the blind roller, keeping it neatly hidden and protected. This not only provides a clean, seamless look but also shields the roller from rain and debris, ensuring the longevity of your blind.

CUSTOM-FIT COMPONENTS

The pelmet will match the component colors you selected for your blind, creating a unified and polished finish. We'll provide it at either the exact width of your blind or slightly oversized, which may require you to trim it down. Please note that some cutting and drilling will be necessary to properly assemble the pelmet with your blind.



Warranty & Peace of Mind

EXTENT OF WARRANTY

Omni Screen Components: 2-year Warranty

Shadeview Mesh: 10-year Warranty

Achilles Clear PVC: 2-year Warranty

Screen Fabrication: 2-year Warranty

WHAT IS NOT COVERED

- Normal wear and tear.
- Misuse or abuse.
- Product failure due to improper installation.
- Clear PVC opaqueness due to rolling up when wet.
- Gearbox unwinding from over tension
- Performance issues and/or abnormal wear & tear issues relating to products that exceed manufacturers size recommendations.
- All costs associated with product removal and re-installation.
- Alterations or repairs that are not authorised.
- Exposure to chemicals or corrosive elements such as a marine or salt air environment, cleaning products or insects.
- Exposure to high humidity environments resulting in mould, mildew or fungal growths.

There are no warranties that extend beyond this express written warranty, except the implied warranties of merchantability and fitness for a particular purpose. Under no circumstances shall the manufacturers and/or suppliers of the products be liable for lost profits, or other indirect, incidental, consequential, special or exemplary damages.

WARRANTY CLAIMS

Please contact NZ Custom Shade with details of the problem, invoice number and purchase order number. Should, for any reason, the screen/s or products need to be returned to the factory. The customer shall repackage and send or deliver to the address provided. The products will be checked and if faulty will be repaired or replaced asap and returned to the customer, the freight cost will be reimbursed. However, if in the factory's view, the product is not faulty the factory may charge for repairs, changes and/or freight.

Care Instructions

All NZ Custom Shade products are made of high-grade materials to exacting specifications. As long as the screens are installed, operated and maintained properly as per the instructions listed below, they should provide many years of satisfactory service. If requested at the time of installation, NZ Custom Shade can explain the correct use of a screen and advise how best to remove it for cleaning.

GENERAL GUIDELINES

- Screens should be retracted in periods of high wind.
- Rolling up fabric when wet can encourage growth of mould, mildew and cloudiness.
- Ensure bottom locks are engaged when screen is lowered to prevent fabric moving in wind
- Ensure all fasteners are secured adequately
- Pelmet / Flashings are recommended where possible to prolong fabric lifespan
- Powder coating to be cleaned regularly

OPERATION

- Lower screen to desired location
- Fasten bottom rail in position with S/S clips or Slide Locks
- Back tension gearbox to tighten screen – Do not over tighten as this can stretch fabric or potentially break the gearbox
- To raise screen, release slide locks or S/S clips and raise screen to the highest position.

HARDWARE MAINTENANCE

Your awning components are powder coated using Dulux powder coat systems. As a general rule cleaning should take place every six months. In areas where pollutants are more prevalent, such as beach front and industrial or geothermal areas, then a cleaning program should be carried out on a more frequent basis ie. one to three months.

- Carefully remove any loose surface deposits with a wet sponge.
 - Use a soft brush (non abrasive) and a mild household detergent (do not use solvents) in warm water, remove dust, salt and other deposits.
 - Rinse off with clean fresh water.
 - It is recommended to check all fasteners annually.
-

SUNSCREEN MESH

Sunscreen mesh fabric should be brushed regularly with a non-abrasive brush and hosed down with clean cold water and left to dry completely before rolling up – this is important to prevent mould and mildew growth. For more stubborn stains a solution of mild detergent and luke-warm water. Rinse thoroughly and allow to dry completely before rolling away. Treat stains as soon as possible.

ACHILLES CLEAR PVC

The use of harsh chemicals for cleaning should be avoided, as these can scratch the surface or attack the material. Clear PVC should only be cleaned with a diluted solution of mild soap and warm water. Rinse with clean water and dry with a soft cloth or a sponge. Do not use solvents or chemical cleaners. Do not expose sheets to abrasion. We recommend Vuplex plastic cleaner/polish.