



# Installation Manual

OUTDOOR OMNI SCREEN

<sup>NZ</sup> Custom  
Shade



# Installation Manual

Installing an Omni Screen varies slightly depending on the specific model (Lite, Guide, or Channel), but the overall process involves securely mounting the head-rail and ensuring the fabric operates smoothly. The following steps provide a general installation guide, with key differences noted for each system.

## SAFETY PRECAUTIONS

1. Ensure the installation area is free from obstructions and hazards.
2. Use appropriate safety gear, including gloves and safety glasses.
3. Do not install during adverse weather conditions.
4. Make sure you have at least one other person to assist with the installation.

## TOOLS AND MATERIALS NEEDED

- Drill / Driver
- Screws and bolts appropriate for your mounting surface (timber, masonry etc)
- Measuring tape
- Spirit level
- Ladder as required
- Pencil or marker

**CHECK DIMENSIONS:** Verify your measurements and confirm that all parts are present. The brackets can be mounted on the face of a wall, underside of an eave, or between two posts.

**CLEARANCE:** Ensure no obstructions will interfere with the blind's operation.

# Step-by-Step Installation

## 1 INSTALL THE MOUNTING BRACKETS

**Mark the position:** Use your measuring tape and a level to mark the desired location for the brackets. The brackets can be mounted in three ways:

- **Face-mount:** Fasten the brackets to the outside face of a beam or wall.
- **Ceiling-mount:** Fasten the brackets to the underside of an eave, beam, or pergola.
- **Recess-mount:** Fasten the brackets to the inner side of two posts.

**Position the brackets:** Place the correct brackets at each end of the installation area. The bracket with the gearbox or the plate with a square hole in it is for the side with the crank handle or motor, while the bracket with the plate with a slot in it is for the non-control end.

**Secure the brackets:** Pre-drill holes to prevent splitting wood and then securely fasten the brackets using 14 gage screws. Ensure they are level and spaced correctly to fit the blind. The outside to outside measurement of the brackets is the width of the awning you have ordered.

---

## 2 MOUNT THE OMNI SCREEN

**Prepare the screen:** Before mounting, unbox the screen and check the operation. **Do not remove the securing tape on the fabric just yet.**

**Attach the roller:** Put the stainless steel pin into the non-drive end of the roller before lifting. Lift the screen roller into the installed brackets. First, insert the control end into its corresponding gearbox or bracket, then push the pin-loaded into the end of the roller into the opposite bracket. Fit the R clip to secure it in place.

**For omni lite and omni guide** *install the ground eyes to secure the bottom bar. We recommend using a 12-14 gauge screw for this.*

## 3 INSTALL THE GUIDES (OMNI GUIDE AND CHANNEL)

### For Omni Guide (wire-guided):

- Attach the guide wires to the roller brackets.
- Stretch the wires taut down to the ground.
- Secure the anchor points for the wires using the L-Bracket or deck mount bracket provided.
- The wire guides will ensure the screen tracks safely and smoothly.

### For Omni Channel (side channels):

- Install the aluminum side channels vertically ( you will need to cut these to length as they come over size), ensuring they are plumb and align perfectly with the blind's bottom rail.
- Secure the channels to your posts or walls.
- The bottom rail of the screen has a tracking system that will glide within the channels, providing a more robust, streamlined, and weather-resistant seal.
- Drill 12mm holes in each side of the channels to allow the locking bars to slot into. Before drilling the holes lower the screen so you can mark the position of the holes.

---

## 4 FINAL CHECKS AND OPERATION

1. **Remove securing tape:** Once the screen and guides are installed, carefully remove any remaining tape securing the fabric.
2. **Lower and tension the screen:** Use the crank handle to slowly lower the screen.
3. **Engage the locks:** Once fully lowered, engage the bottom locks (either S-hooks or slide locks) to secure the screen and create tension.
4. **Tension the fabric:** Use the crank to apply a small amount of back tension to remove any slack and ensure the screen is taut. Do not over-tighten, as this can damage the fabric or gearbox.
5. **Test for smooth operation:** Raise and lower the screen a few times to ensure it runs smoothly.
6. **Store properly:** When not in use, ensure the screen is fully retracted. Never leave it halfway down, as this can lead to stress on the fabric and hardware.

# Important Considerations

## FOR NEW ZEALAND'S CLIMATE:

**Wind:** Always retract your Omni Screen in high winds to prevent damage.

**Wet fabric:** Do not retract your screen when the fabric is wet, especially for clear PVC, as this can cause mould, mildew, and opaqueness. Allow it to dry completely before rolling it up.

**Coastal areas:** If you live near the coast, regular cleaning of the powder-coated components and fabric is recommended to prevent corrosion and salt buildup.

---

## Maintenance Tips

1. Regularly inspect the screen for any signs of wear or damage.
  2. Clean the screen fabric with mild soap and water. Avoid using harsh chemicals.
  3. Retract the screen during strong winds, heavy rain, or snow to prevent damage.
- 

## Troubleshooting

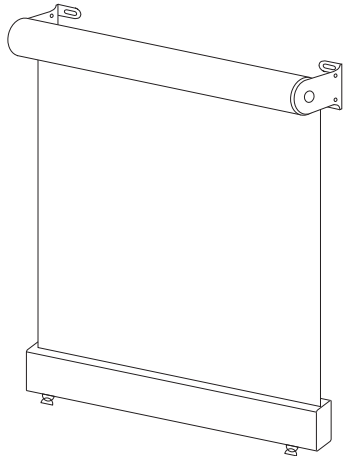
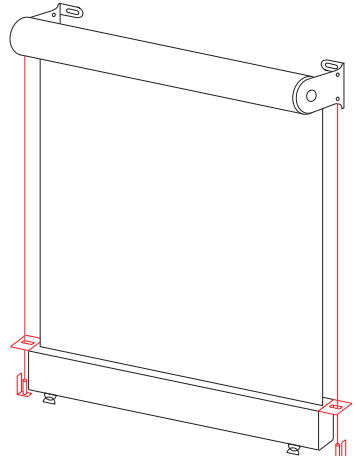
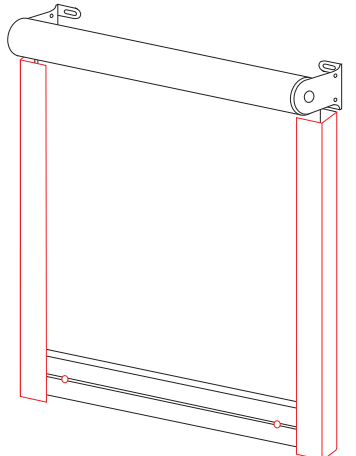
If you encounter any issues during the installation or operation of your screen, refer to the troubleshooting section in the instruction manual or contact our customer support team for assistance.

---

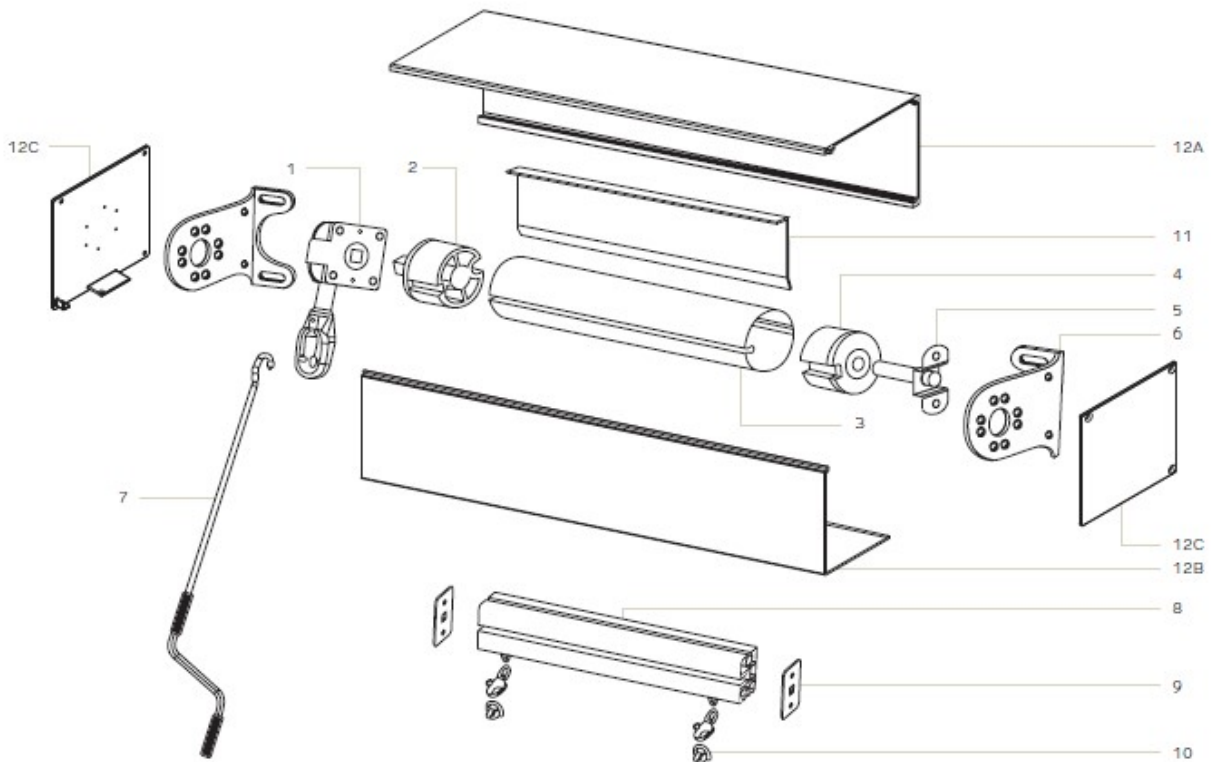
## Contact Us

For any further assistance and support contact us at: [sales@nzcustomshade.co.nz](mailto:sales@nzcustomshade.co.nz)

# Technical Information

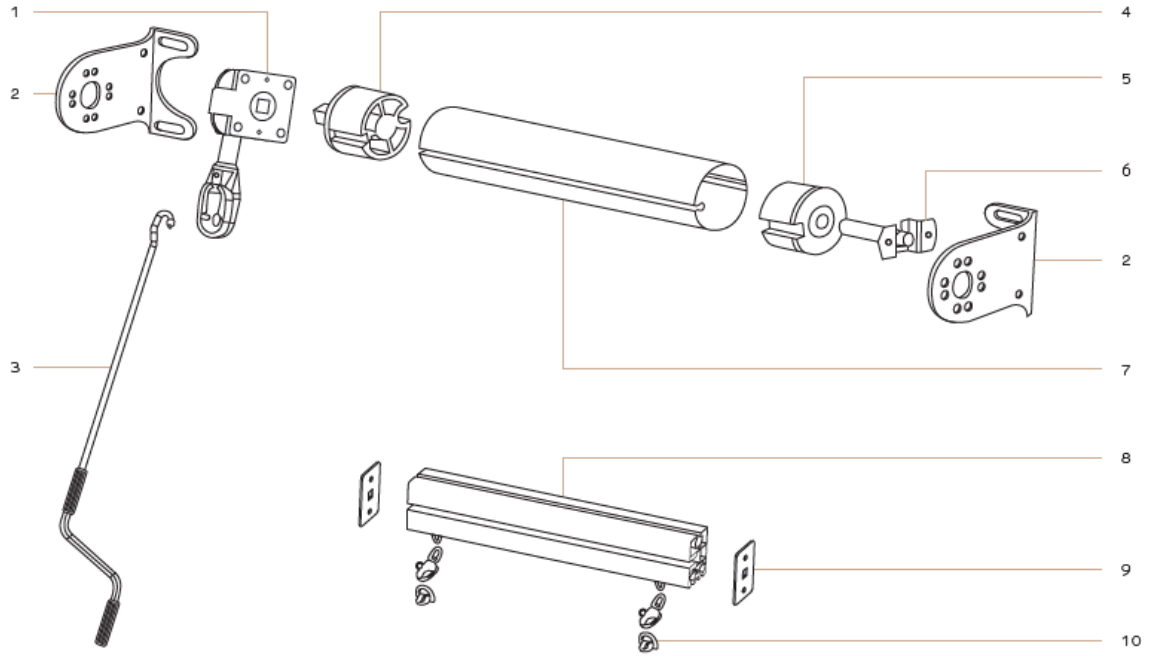
		
<p align="center"><b>OMNI LITE</b></p>	<p align="center"><b>OMNI GUIDE</b></p>	<p align="center"><b>OMNI CHANNEL</b></p>
<p>A minimal straight drop screen which anchors to the ground when lowered and rolls neatly away when not in use.</p>	<p>A wire guided straight drop screen which allows the user to stop at any level in the drop.</p>	<p>Has the addition of side channels to increase protection and provide a streamlined finish.</p>

## OMNI SCREEN WITH FLASHING AND PELMET



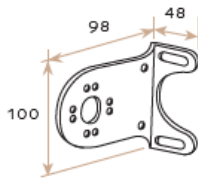
- |               |                     |                |                        |                     |
|---------------|---------------------|----------------|------------------------|---------------------|
| 1 Gearbox     | 4 Idler End         | 7 Crank Handle | 10 S/S Anchor Clips    | 12A Pelmet Back     |
| 2 Drive End   | 5 Pivot Pin & Plate | 8 Bottom Rail  | 11 Flashing (optional) | 12B Pelmet Front    |
| 3 Keyway Tube | 6 Mounting Bracket  | 9 End Cap      | 12 Pelmet (optional)   | 12C Pelmet End Caps |

# OMNI LITE SCREEN

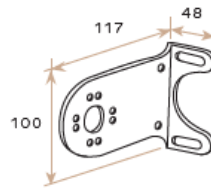


- 1 Gearbox 2 Mounting bracket 3 Crank handle 4 Drive end 5 Idler end 6 Pivot pin & plate  
 7 Keyway tube 8 Bottom rail 9 End Cap 10 S/S anchor clips

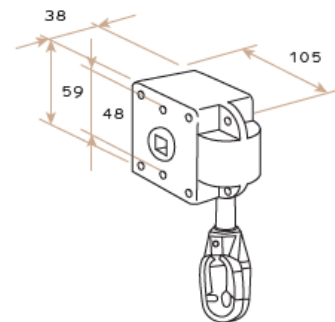
**MOUNTING BRACKET 65mm**



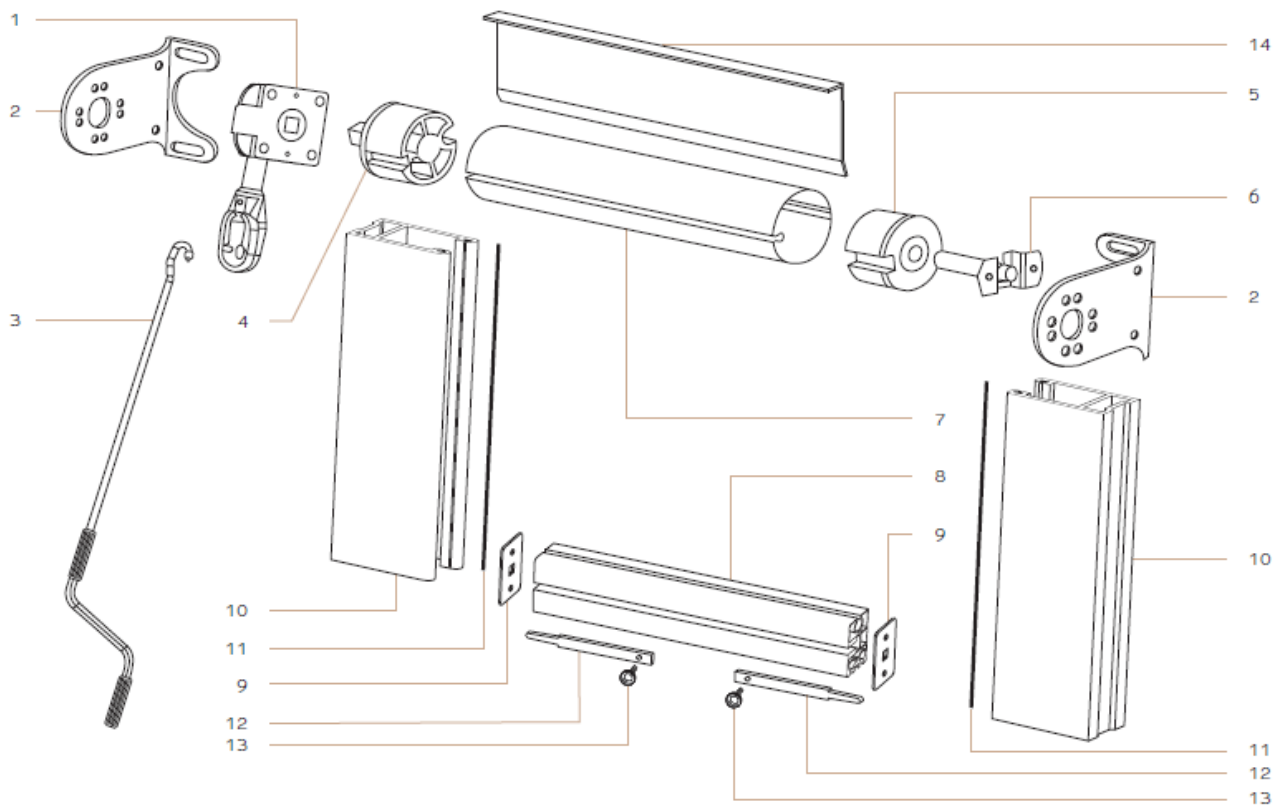
**MOUNTING BRACKET 80mm**



**GEARBOX 7:1 (mm)**

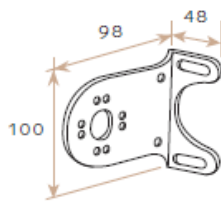


# OMNI CHANNEL SCREEN

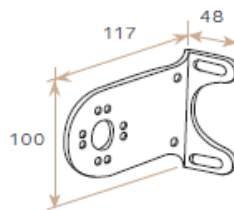


- 1 Gearbox 2 S/S Mounting bracket 3 Crank handle 4 Drive end 5 Idler end 6 Pivot pin & plate 7 Roller tube  
 8 Bottom rail 9 End Cap 10 Side Channel 11 Brush Insert 12 Slide Lock 13 Thumb Screw 14 Flashing (Optional)

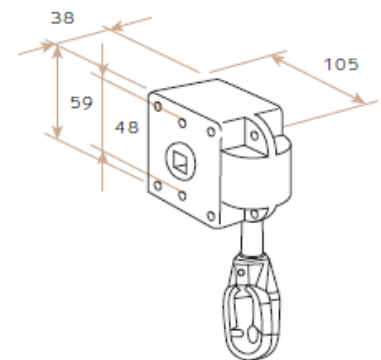
MOUNTING BRACKET 65mm



MOUNTING BRACKET 80mm



GEARBOX 7:1 (mm)



# PELMET ASSEMBLY

