



Installation Manual

MONOBLOC RETRACTABLE AWNING

^{NZ} Custom
Shade



Installation Manual

This guide provides detailed instructions to help you install your awning safely and correctly. Please read through all the steps before starting the installation process.

SAFETY PRECAUTIONS

1. Ensure the installation area is free from obstructions and hazards.
2. Use appropriate safety gear, including gloves and safety glasses.
3. Do not install the awning during adverse weather conditions.
4. Make sure you have at least one other person to assist with the installation.

TOOLS AND MATERIALS NEEDED

- Drill
- Screws and bolts
- Measuring tape
- Spirit level
- Ladder
- Spanner
- Pencil or marker
- Stud finder (for wooden installations)

Step-by-Step Installation

1 UNPACK AND INSPECT

Carefully unpack the awning and check all parts to ensure there are no missing or damaged components.

2 CHOOSE THE INSTALLATION LOCATION

Select a structurally sound area that will provide the best shading. Consider the sun's angle, the required pitch (minimum 12–15° for water run-off), and how the shaded area will be used.

3 MARK THE MOUNTING POINTS

Using the specifications in the technical information (pages 6-7), mark where each mounting bracket will be fixed.

Ensure your marks are perfectly level across the wall or soffit. A level is essential here. Space the brackets according to the awning width. Typically:

- One bracket near each end, approx. 200mm in from the edge.
- Additional support brackets if required for wider awnings (over 5m).
Double-check your marks before drilling – the brackets must align exactly, or the awning will not sit correctly.

4 DRILLING HOLES

For concrete or brick walls, use masonry bits and 10mm screw bolts or 10mm trubolts with appropriate anchors.

For timber walls, use a stud finder to locate studs and fix directly into them using 10mm coach screws.

Drill clean, straight holes to the required depth for your fasteners.

5 ATTACH THE MOUNTING BRACKETS

Secure the brackets with the correct bolts and tighten firmly. Use your spirit level to make sure they are perfectly horizontal. Misalignment will cause the awning to bind or strain.

6 MOUNT THE AWNING

Lift the awning into place (minimum two people required). Hook the awning securely into the mounting brackets and fasten with the supplied fixing bolts.

7 TEST THE AWNING

Manually extend and retract the awning to ensure smooth operation. Check that it runs evenly and that there's no twisting.

8 ADJUST THE PITCH

Loosen the two bolts on the arm hub with a 19mm spanner. Adjust the arm angle using a 6mm Allen key until the desired pitch is reached (minimum 12–15°). Retighten bolts securely.

Automated Awning Setup

If your awning includes a motorised option:

1. Install the Motor – The Ellipse Monobloc uses a 240V Alpha tubular motor (factory-fitted in most cases).
2. Electrical Wiring – Wiring must be completed by a qualified electrician. Ensure power is isolated before connecting.

3. Remote Setup – Pair the Navigator remote with the motor following the supplied instructions.
 4. Wind Sensor (Optional) – Mount the wind sensor as per instructions, usually on the fascia or nearby wall where it can detect airflow. Pair it to the motor so the awning retracts automatically in strong winds.
 5. Testing – Use the remote to extend and retract the awning, checking smooth operation. Adjust the motor limits (extend/retract stop points) as required.
-

Maintenance Tips

1. Regularly inspect the awning for any signs of wear or damage.
 2. Clean the awning fabric with mild soap and water. Avoid using harsh chemicals.
 3. Lubricate moving parts annually to ensure smooth operation.
 4. Retract the awning during strong winds, heavy rain, or snow to prevent damage.
-

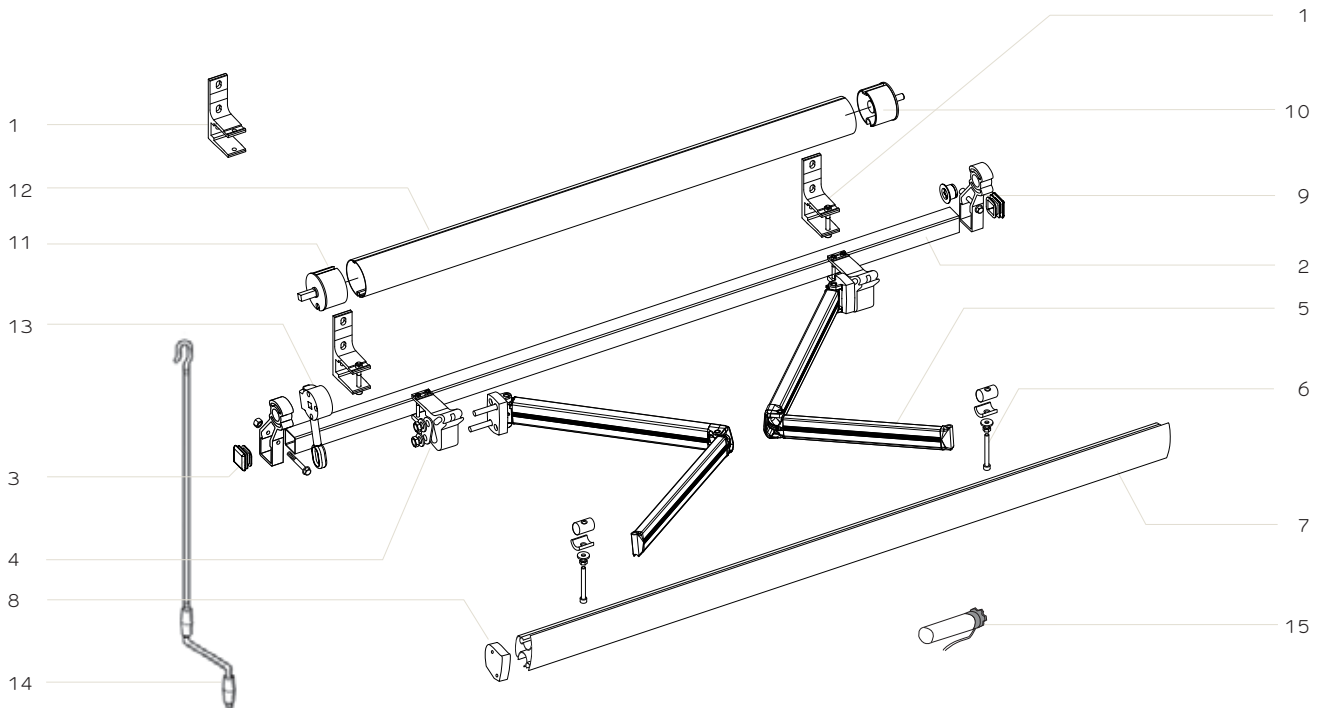
Troubleshooting

If you encounter any issues during the installation or operation of your awning, refer to the troubleshooting section in the instruction manual or contact our customer support team for assistance.

Contact Us

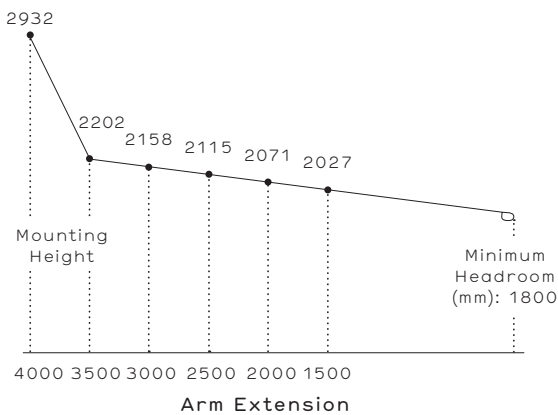
For any further assistance and support contact us at: sales@nzcustomshade.co.nz

Technical Information



- 1 Face fix bracket 2 40 x 40 x 3mm aluminium square bar 3 Square end cap 4 Adjustable pitch arm bracket
- 5 Arms 6 Fall bar hand 7 Fall bar - extruded aluminium 8 Fall bar endcap 9 Roller tube support bracket
- 10 78mm idle end 11 78mm drive bearing 12 78mm aluminium roller tube 13 Gearbox 14 Crank handle
- 15 Motor - automation (optional)

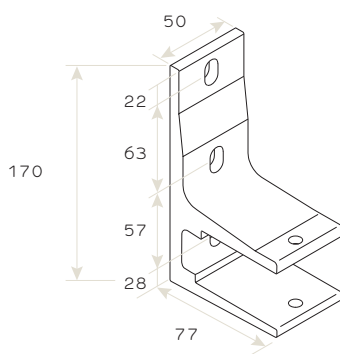
INSTALLATION HEIGHT REQUIREMENTS (MM)



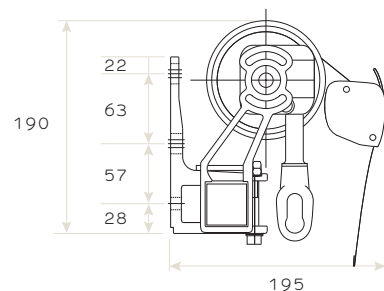
MINIMUM WIDTH VS PROJECTION (mm)

PROJECTION	GEARBOX	AUTOMATED
1500	2020	1970
2000	2420	2370
2500	2920	2870
3000	3430	3380
3500	3988	3930
4000	4588	4530

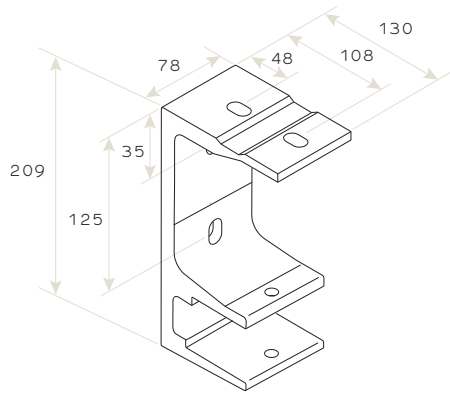
FACE FIX BRACKET (MM)



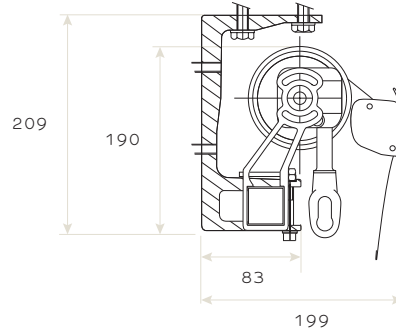
FACE FIX (MM)



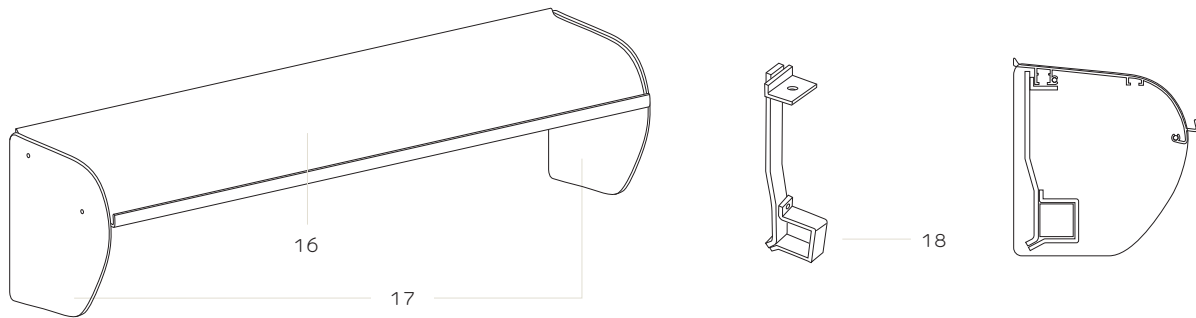
TOP FIX BRACKET (mm)



SOFFIT / TOP FIX (mm)



HOOD



16 Aluminum hood 17 Aluminium hood end plates 18 Hood bracket fixed to square bar

